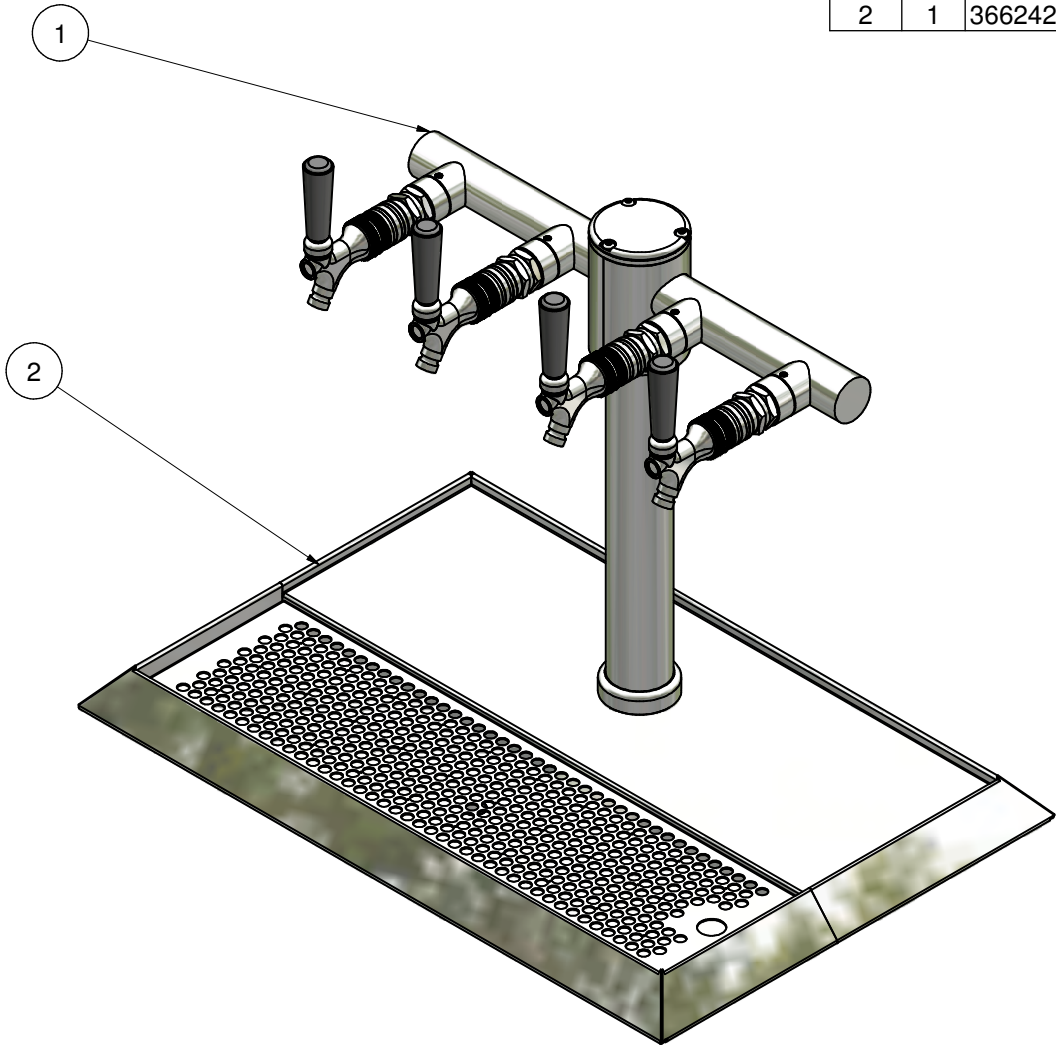


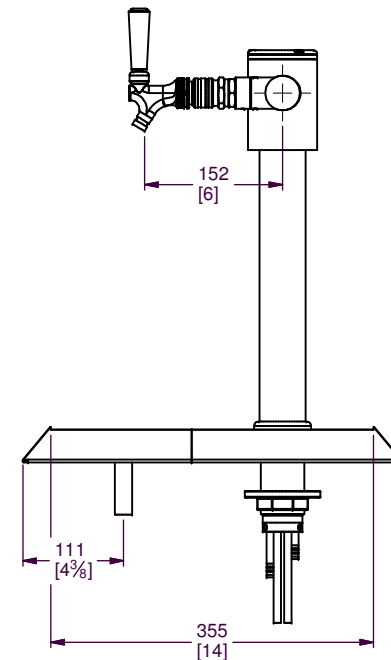
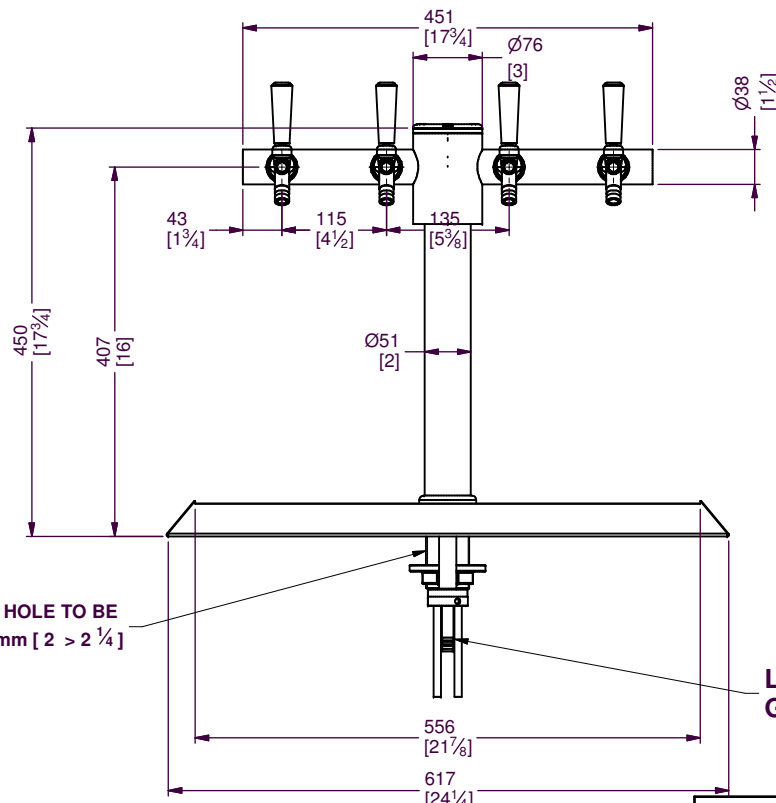
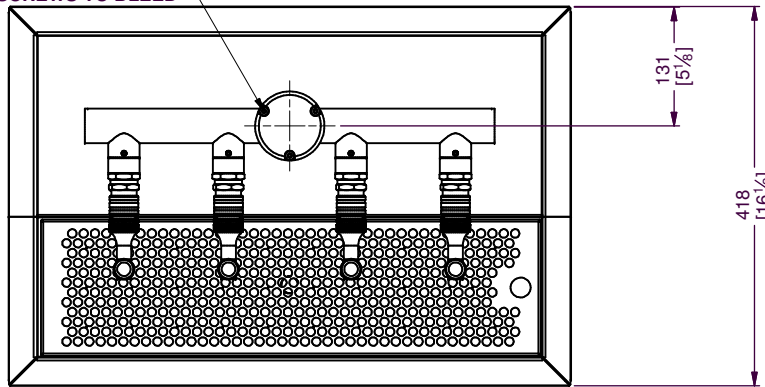
6		5		4		3		2		1	
REV		ECN #		ZONE		REVISION HISTORY				TODAY'S DATE	
DESCRIPTION		BY		AUTHORITY							
1											

Parts List			
ITEM	QTY	PART NUMBER	DESCRIPTION
1	1	4W FAT BOY	
2	1	36624261	DRIPTRAY COUNTER TOP S/S 550 BEVELLED EDGE



<p>© COPYRIGHT</p> <p>This drawing and the information contained herein is the property of Hoshizaki Lancer Pty. Ltd. It must not be copied or reproduced in any form, or used for manufacture or other purposes without express permission from the copyright owner, and is to be returned upon demand. Compensation for losses will be sought for any unauthorised use or infringement, and acceptance of the above is a condition of the issue of the information within. If the recipient does not accept the above conditions the drawing is to be returned forthwith.</p>		Checked by	Drawn by	Design State	Scale	Date	Sheet Size
		craig	WorkInProgress	NTS	08-Mar-12	A3	
		<p><b>HOSHIZAKI</b></p> <p><b>LANCER PTY. LTD.</b></p> <p>5 TOOGOOD AVE. BEVERLEY 5009 S.A.</p>					<p>TITLE</p> <p><b>4W FAT BOY</b></p>
<p>COPYRIGHT HOSHIZAKI LANCER PTY. LTD. ABN 84 007 706 461</p>					PART No:	Revision	Sheet
					36624261	001	1 / 2

LOOSEN 3 SCREWS TO BLEED



MOUNTING HOLE TO BE  
50mm > 56mm [ 2 > 2 1/4 ]

LONG TUBE  
GLYCOL INLET

<p>© COPYRIGHT</p> <p>This drawing and the information contained herein is the property of Hoshizaki Lancer Pty. Ltd. It must not be copied or reproduced in any form, or used for manufacture or other purposes without express permission from the copyright owner, and is to be returned upon demand. Compensation for losses will be sought for any unauthorised use or infringement, and acceptance of the above is a condition of the issue of the information within. If the recipient does not accept the above conditions the drawing is to be returned forthwith.</p>		Checked by	Drawn by	Design State	Scale	Date	Sheet Size	
	<p><b>HOSHIZAKI</b></p> <p><b>LANCER PTY. LTD.</b></p> <p>5 TOOGOOD AVE. BEVERLEY 5009 S.A.</p>	craigg	WorkInProgress	NTS	08-Mar-12	A3		
	<p>TITLE</p> <p><b>4W FAT BOY</b></p>		Revision	Sheet				
<p>COPYRIGHT HOSHIZAKI LANCER PTY. LTD. ABN 84 007 706 461</p>							001	2 / 2