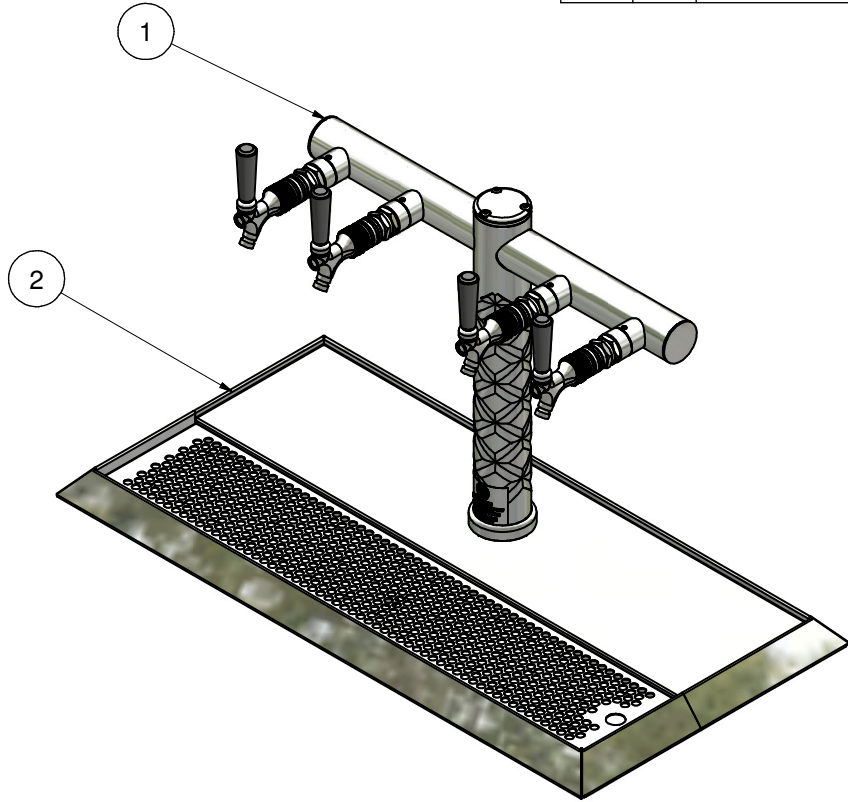


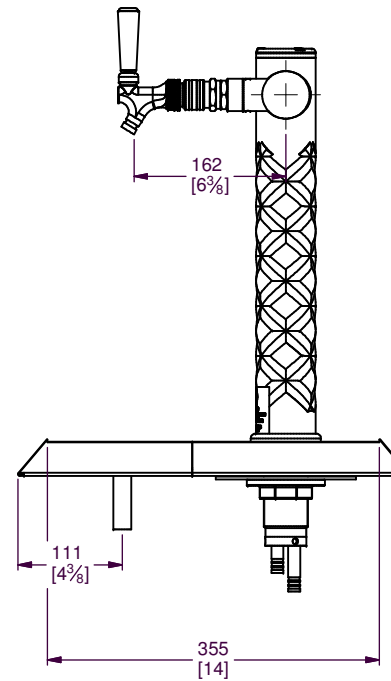
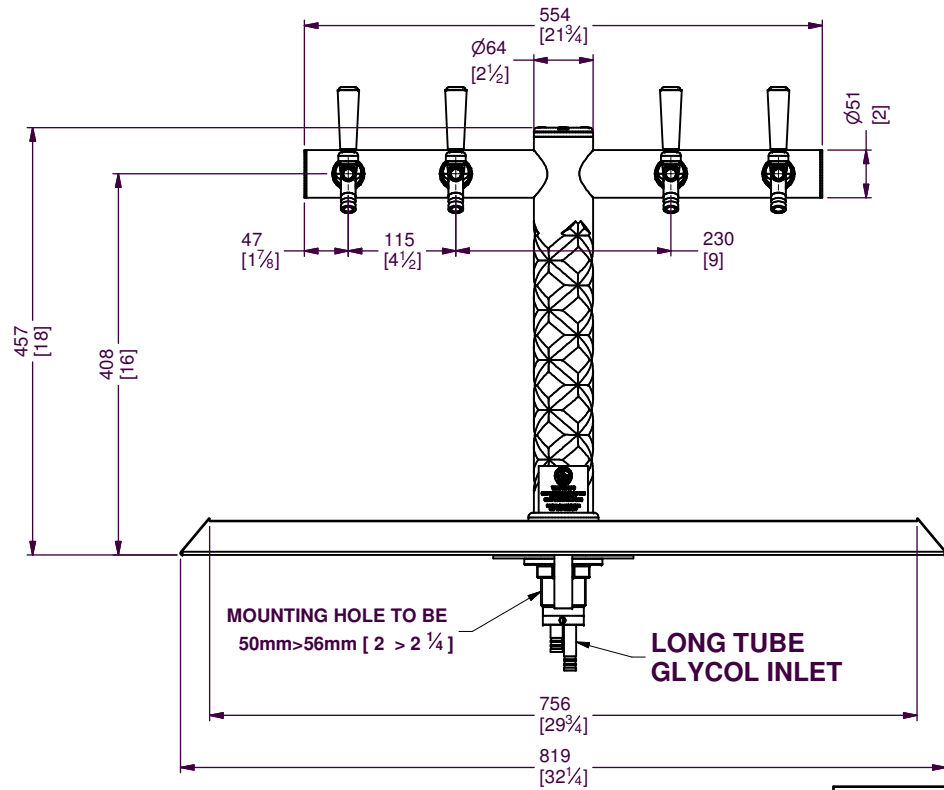
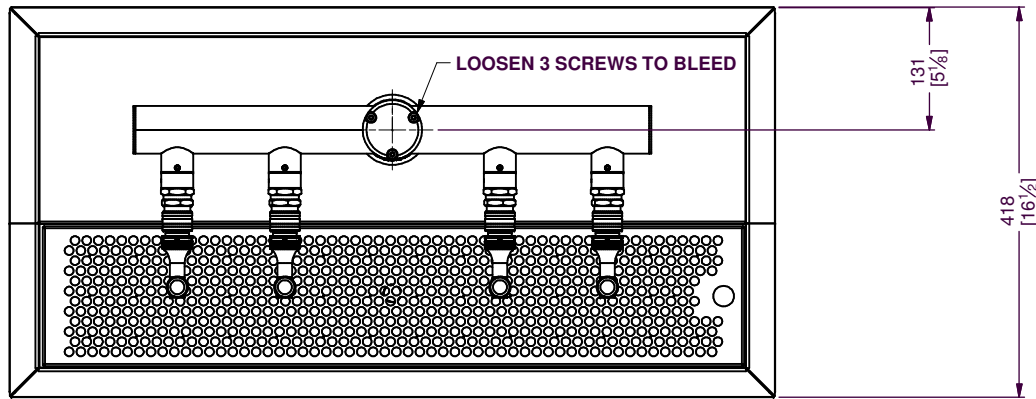
| REVISION HISTORY | | | TODAY'S DATE | BY | AUTHORITY |
|------------------|-------|------|--------------|----|-----------|
| REV | ECN # | ZONE | DESCRIPTION | | |
| 1 | | | | | |

| Parts List | | | |
|------------|-----|---------------|---------------------------|
| ITEM | QTY | PART NUMBER | DESCRIPTION |
| 1 | 1 | 4W CRISSCROSS | |
| 2 | 1 | 36624285 | DRIPTRAY BEVELLED S/S 750 |



| | | | | | | | |
|---|--|---|----------|--------------|-------|-----------|------------|
| <p>© COPYRIGHT</p> <p>This drawing and the information contained herein is the property of Hoshizaki Lancer Pty. Ltd. It must not be copied or reproduced in any form, or used for manufacture or other purposes without express permission from the copyright owner, and is to be returned upon demand. Compensation for losses will be sought for any unauthorised use or infringement, and acceptance of the above is a condition of the issue of the information within. If the recipient does not accept the above conditions the drawing is to be returned forthwith.</p> | | Checked by | Drawn by | Design State | Scale | Date | Sheet Size |
| | | | craig | Released | NTS | 08-Mar-12 | A3 |
| | | <p>HOSHIZAKI</p> <p>LANCER PTY. LTD.</p> <p>5 TOOGOOD AVE. BEVERLEY 5009 S.A.</p> | | | | | |
| <p>TITLE</p> <p>4W CRISS CROSS</p> | | <p>PART No:</p> <p>4W CRISS CROSS</p> | | Revision | Sheet | | |
| | | | | 001 | 1 / 2 | | |

COPYRIGHT HOSHIZAKI LANCER PTY. LTD. ABN 84 007 706 461



| | | | | | | |
|---|--|------------------------------|-------------------------------------|----------------------------|------------------------------|-----------------------------|
| <p>© COPYRIGHT</p> <p>This drawing and the information contained herein is the property of Hoshizaki Lancer Pty. Ltd. It must not be copied or reproduced in any form, or used for manufacture or other purposes without express permission from the copyright owner, and is to be returned upon demand. Compensation for losses will be sought for any unauthorised use or infringement, and acceptance of the above is a condition of the issue of the information within. If the recipient does not accept the above conditions the drawing is to be returned forthwith.</p> | <p>Checked by</p> | <p>Drawn by</p> <p>craig</p> | <p>Design State</p> <p>Released</p> | <p>Scale</p> <p>NTS</p> | <p>Date</p> <p>08-Mar-12</p> | <p>Sheet Size</p> <p>A3</p> |
| | <p>TITLE</p> <p>HOSHIZAKI</p> <p>LANCER PTY. LTD.</p> <p>5 TOOGOOD AVE. BEVERLEY 5009 S.A.</p> | | | | | |
| | <p>PART No:</p> <p>4W CRISS CROSS</p> | | | <p>Revision</p> <p>001</p> | <p>Sheet</p> <p>2 / 2</p> | |

COPYRIGHT HOSHIZAKI LANCER PTY. LTD. ABN 84 007 706 461