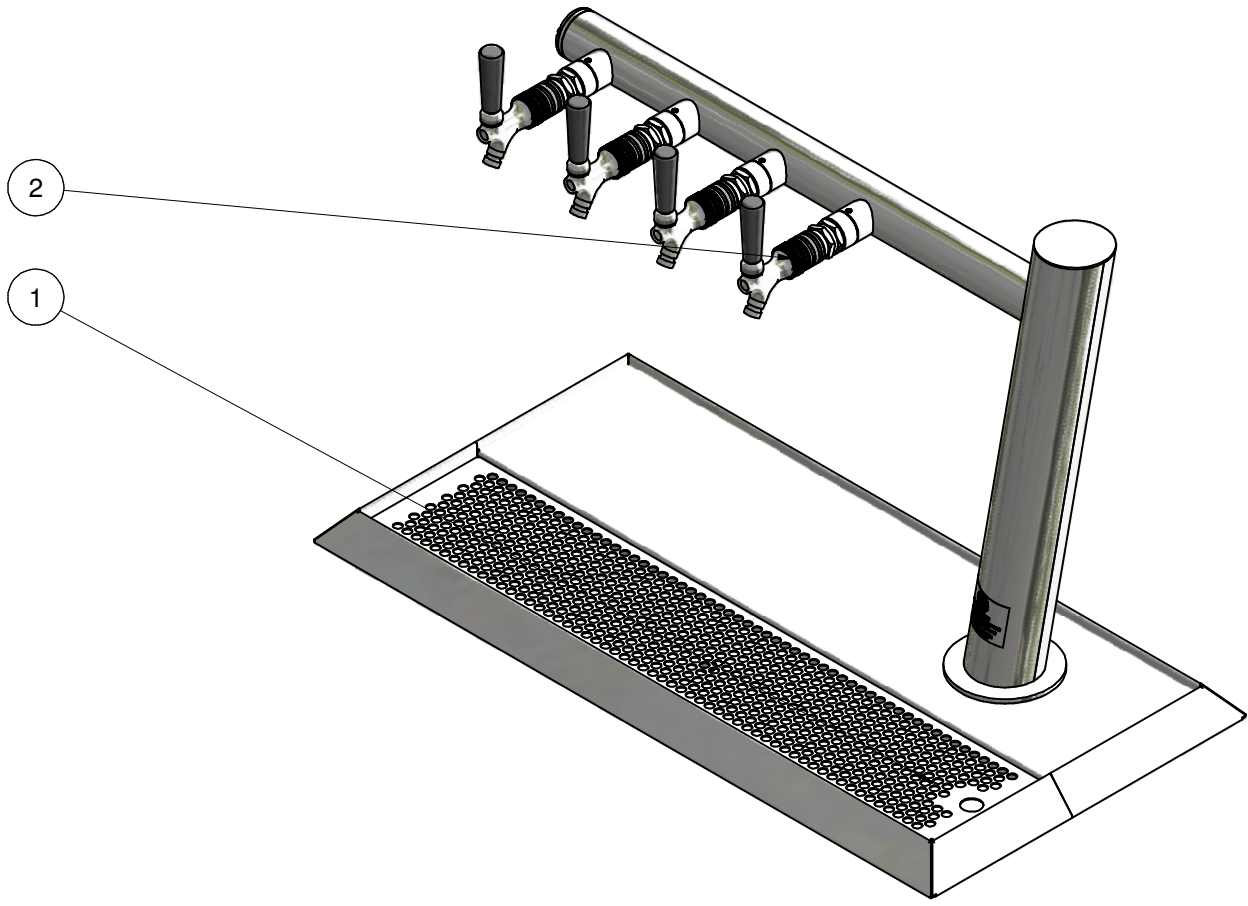
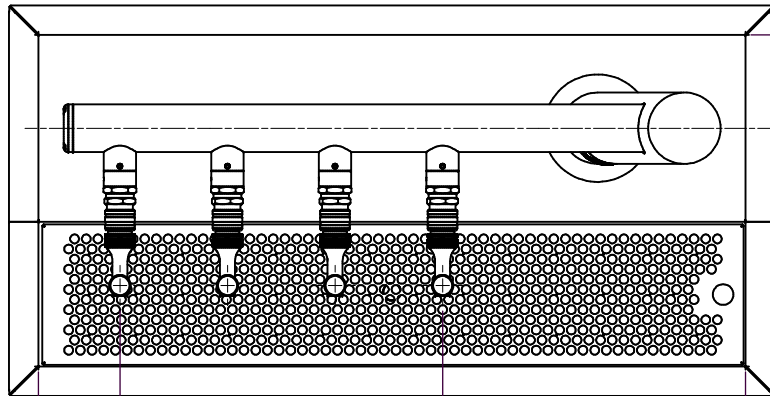


Parts List			
ITEM	QTY	PART NUMBER	DESCRIPTION
1	1	36624285	DRIPTRAY BEVELLED S/S 750
2	1	ZENITH 4W LH WITH TAPS	ZENITH FOUNT LH 4W SS SF 115



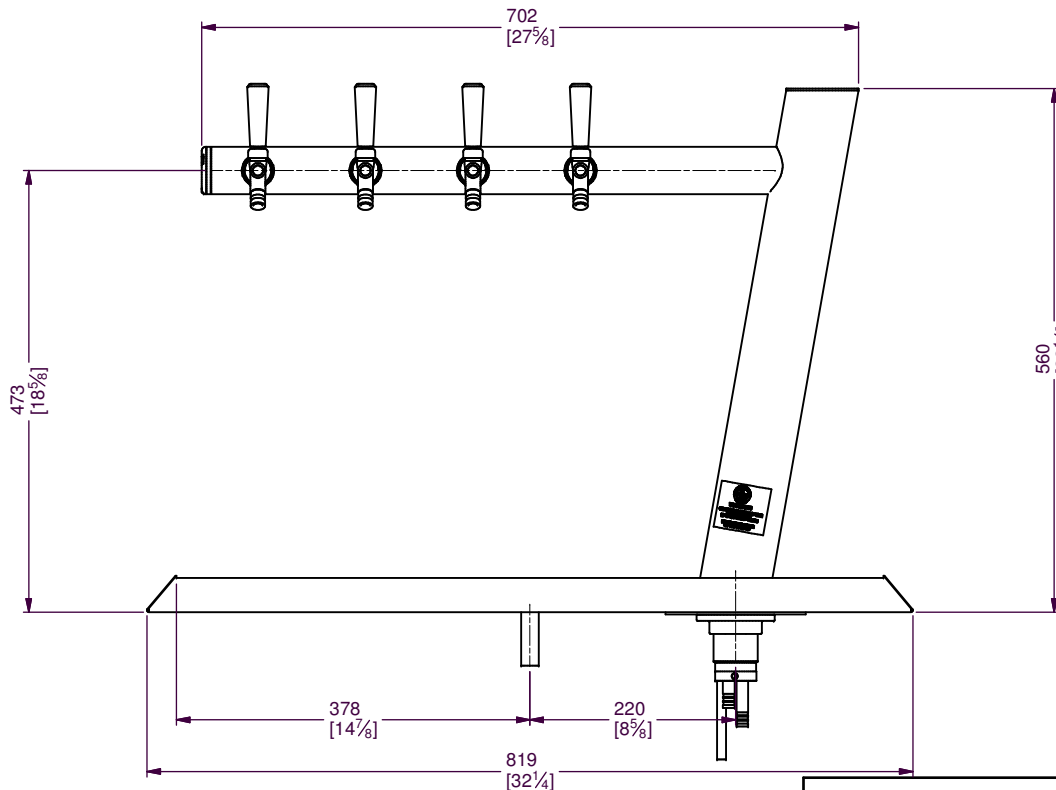
<p>© COPYRIGHT</p> <p>This drawing and the information contained herein is the property of Hoshizaki Lancer Pty. Ltd. It must not be copied or reproduced in any form, or used for manufacture or other purposes without express permission from the copyright owner, and is to be returned upon demand. Compensation for losses will be sought for any unauthorised use or infringement, and acceptance of the above is a condition of the issue of the information within. If the recipient does not accept the above conditions the drawing is to be returned forthwith.</p>	 <p>HOSHIZAKI <i>LANCER PTY. LTD.</i> 5 TOOGOOD AVE. BEVERLEY 5009 S.A.</p>	Checked by	Drawn by	Design State	Scale	Date	Sheet Size
			craig	Pending	NTS	08-Sep-11	A3
		<p>TITLE</p> <p>S ZENITH 4W LH W TAPS & DT</p>					
		PART No:	Revision	Sheet			
		ZENITH 4W LH WITH TAPS DT	001	1 / 2			
<small>COPYRIGHT HOSHIZAKI LANCER PTY. LTD. ABN 84 007 706 461</small>							



87
[3½]

324
[12¾]

100
[4]



702
[27⅝]

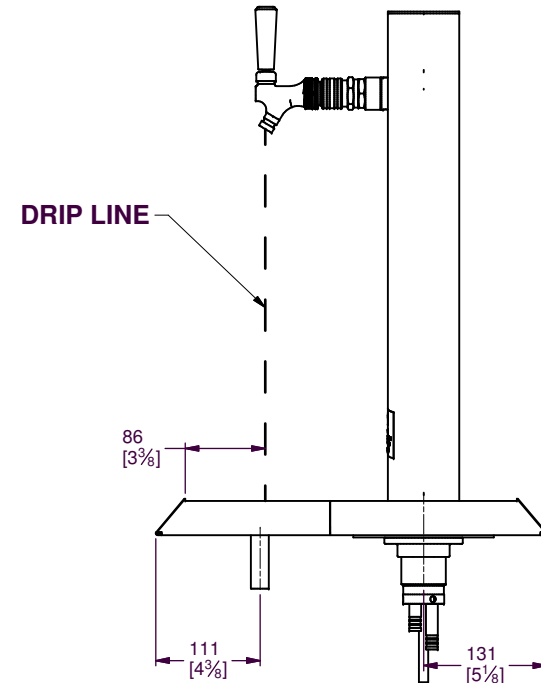
473
[18⅝]

560
[22⅝]

378
[14⅞]

220
[8⅝]

819
[32¼]



DRIP LINE

86
[3⅝]

111
[4⅜]

131
[5⅝]

© COPYRIGHT

This drawing and the information contained herein is the property of Hoshizaki Lancer Pty. Ltd. It must not be copied or reproduced in any form, or used for manufacture or other purposes without express permission from the copyright owner, and is to be returned upon demand. Compensation for losses will be sought for any unauthorised use or infringement, and acceptance of the above is a condition of the issue of the information within. If the recipient does not accept the above conditions the drawing is to be returned forthwith.



Checked by

Drawn by
craig

Design State
Pending

Scale
NTS

Date
08-Sep-11

Sheet Size
A3

HOSHIZAKI
LANCER PTY. LTD.
5 TOOGOOD AVE. BEVERLEY 5009 S.A.

TITLE S ZENITH 4W LH W TAPS & DT		Revision 001	Sheet 2 / 2
PART No: ZENITH 4W LH WITH TAPS DT			

COPYRIGHT HOSHIZAKI LANCER PTY. LTD. ABN 84 007 706 461