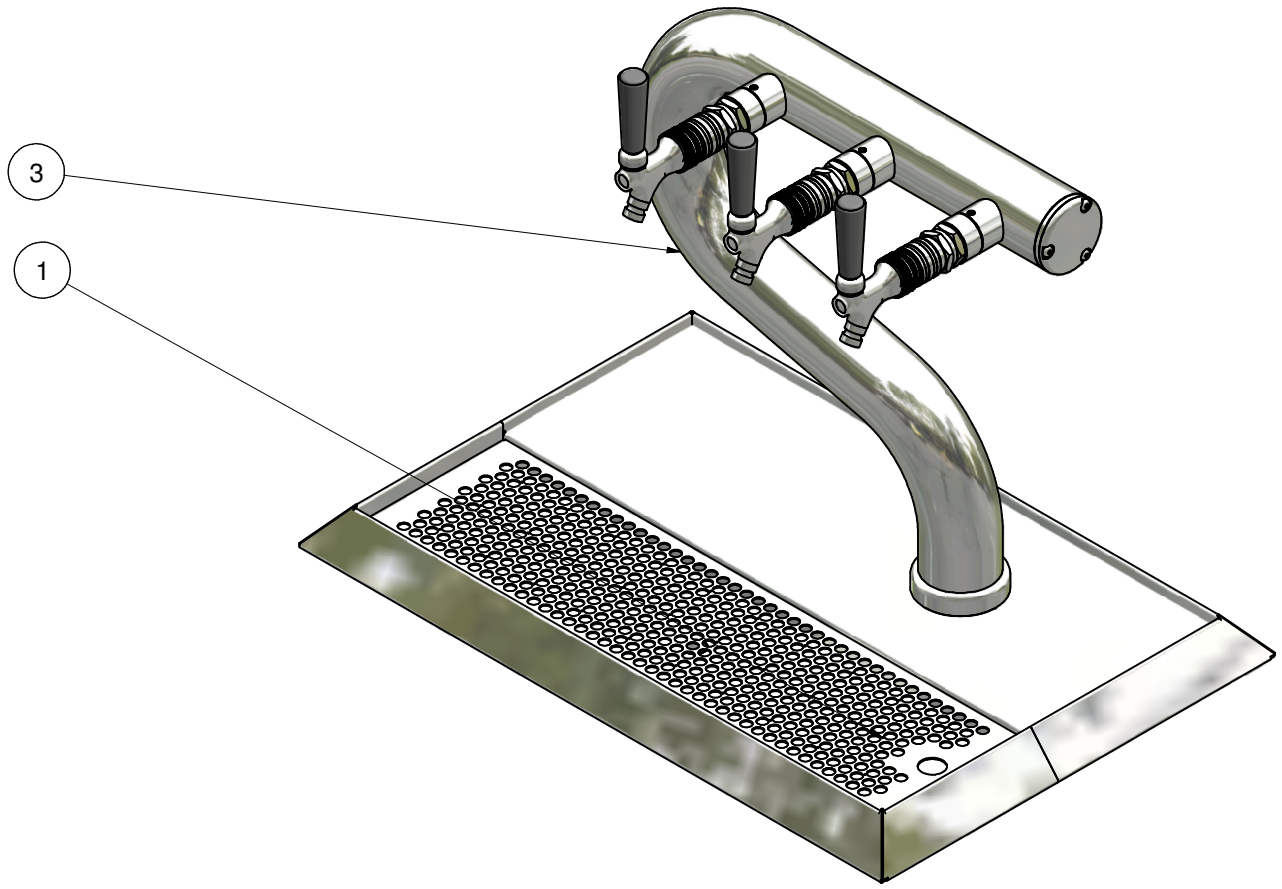


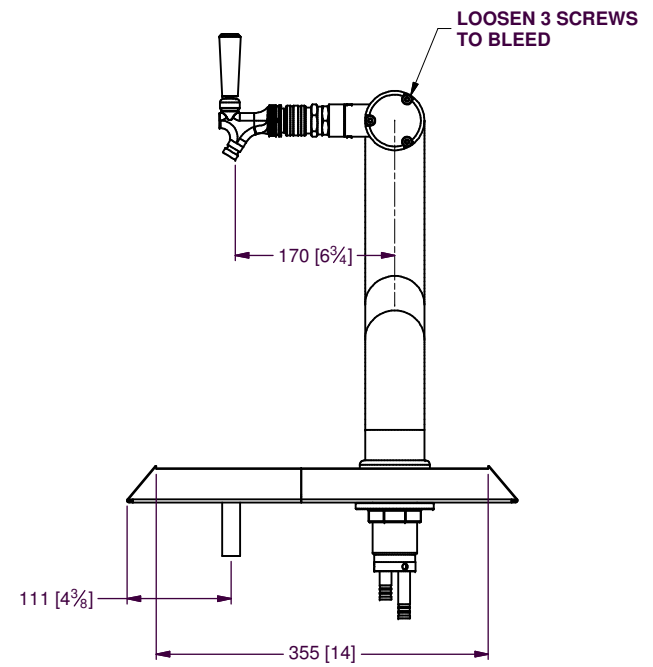
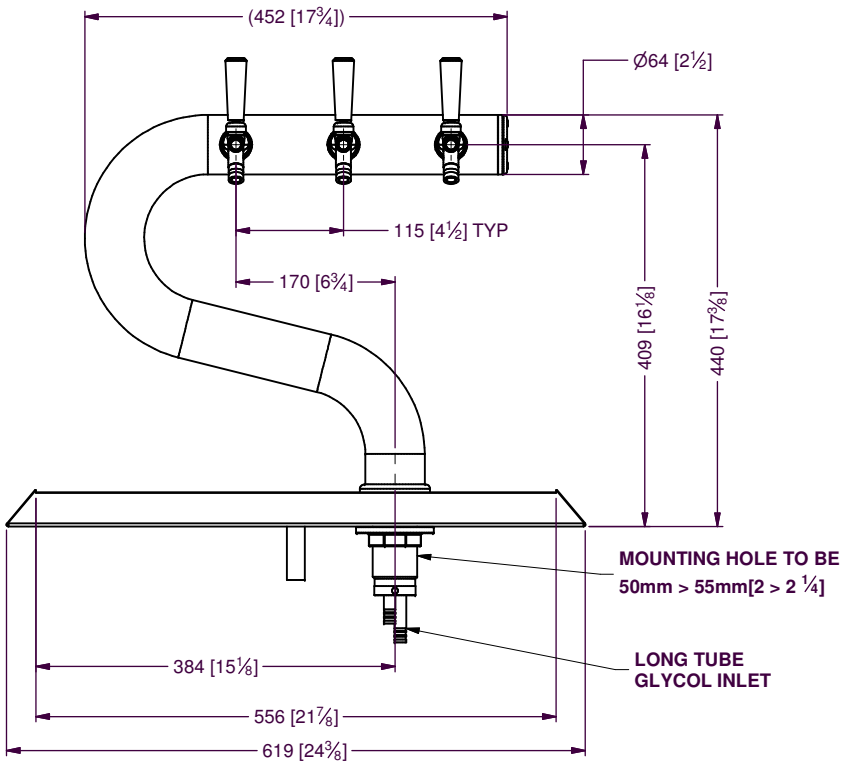
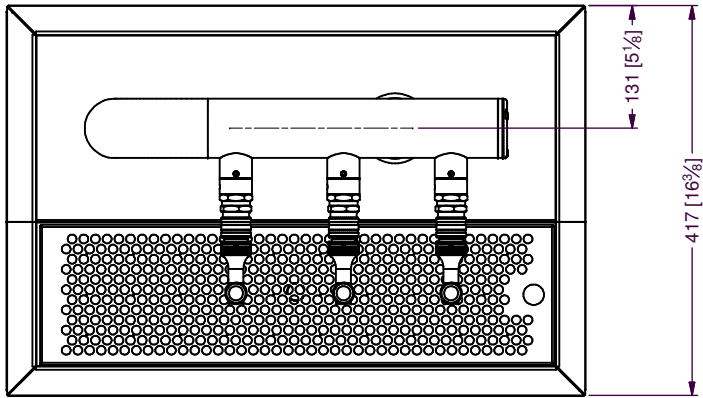
REVISION HISTORY			TODAY'S DATE	BY	AUTHORITY
REV	ECN #	ZONE			
1					

Parts List			
ITEM	QTY	PART NUMBER	DESCRIPTION
1	1	36624261	DRIPTRAY COUNTER TOP S/S 550 BEVELLED EDGE
3	1	3W-RH-W-TAPS	



<p>© COPYRIGHT</p> <p>This drawing and the information contained herein is the property of Hoshizaki Lancer Pty. Ltd. It must not be copied or reproduced in any form, or used for manufacture or other purposes without express permission from the copyright owner, and is to be returned upon demand. Compensation for losses will be sought for any unauthorised use or infringement, and acceptance of the above is a condition of the issue of the information within. If the recipient does not accept the above conditions the drawing is to be returned forthwith.</p>		Checked by	Drawn by	Design State	Scale	Date	Sheet Size
		RICKY	RICKY	Released	NTS	10-Mar-12	A3
		<p><b>HOSHIZAKI</b></p> <p><i>LANCER PTY. LTD.</i></p> <p>5 TOOGOOD AVE. BEVERLEY 5009 S.A.</p>			<p>TITLE</p> <p><b>3W JUPITER RIGHT HAND</b></p>		
PART No:		<b>3W - RH ASSY</b>		Revision	Sheet		
				001	1 / 2		

COPYRIGHT HOSHIZAKI LANCER PTY. LTD. ABN 84 007 706 461



<p>© COPYRIGHT</p> <p>This drawing and the information contained herein is the property of Hoshizaki Lancer Pty. Ltd. It must not be copied or reproduced in any form, or used for manufacture or other purposes without express permission from the copyright owner, and is to be returned upon demand. Compensation for losses will be sought for any unauthorised use or infringement, and acceptance of the above is a condition of the issue of the information within. If the recipient does not accept the above conditions the drawing is to be returned forthwith.</p>		Checked by RICKY		Drawn by RICKY		Design State Released		Scale NTS		Date 10-Mar-12		Sheet Size A3
	<b>HOSHIZAKI</b> <b>LANCER PTY. LTD.</b> 5 TOOGOOD AVE. BEVERLEY 5009 S.A.					TITLE <b>3W JUPITER RIGHT HAND</b>		PART No: <b>3W - RH ASSY</b>		Revision 001	Sheet 2 / 2	
	COPYRIGHT HOSHIZAKI LANCER PTY. LTD. ABN 84 007 706 461											