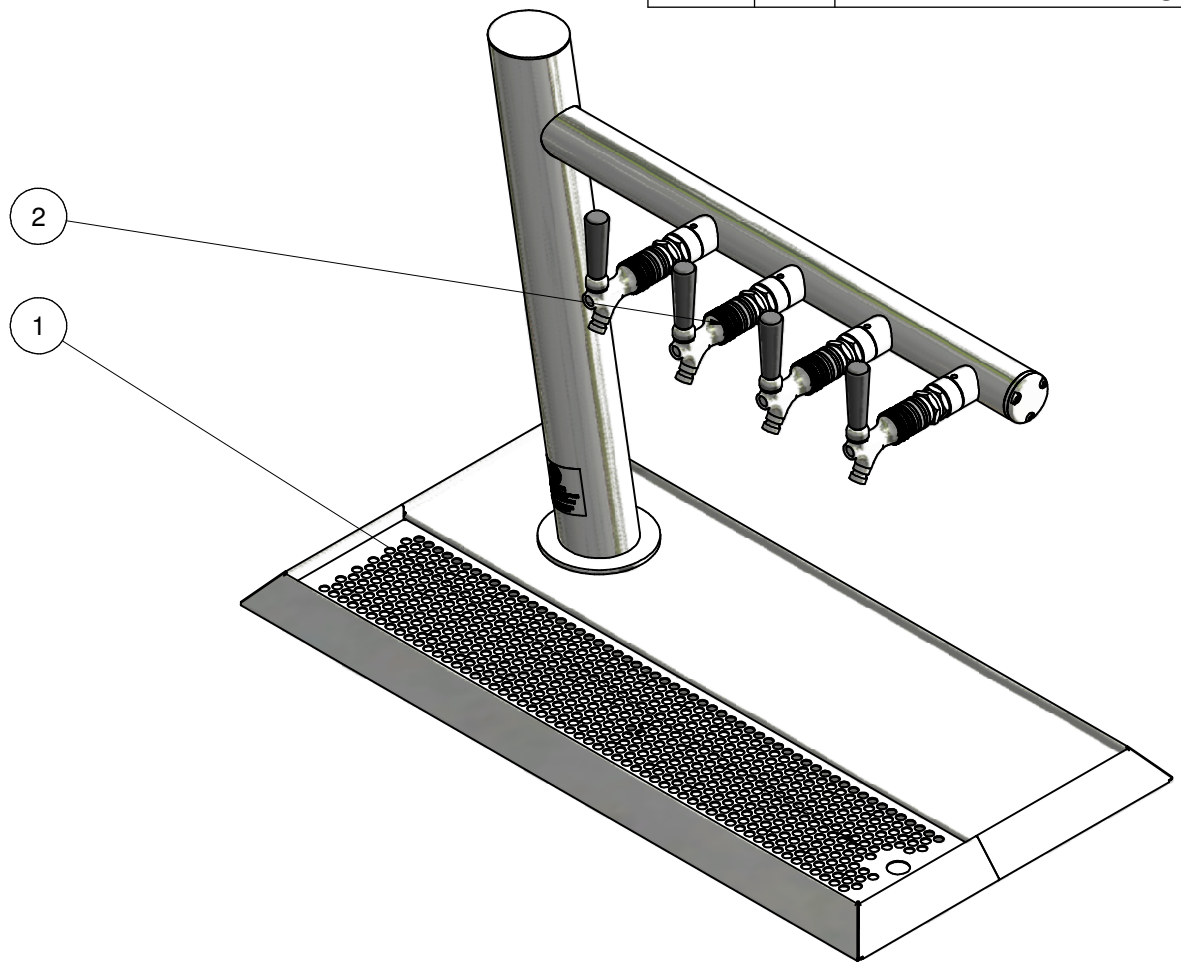
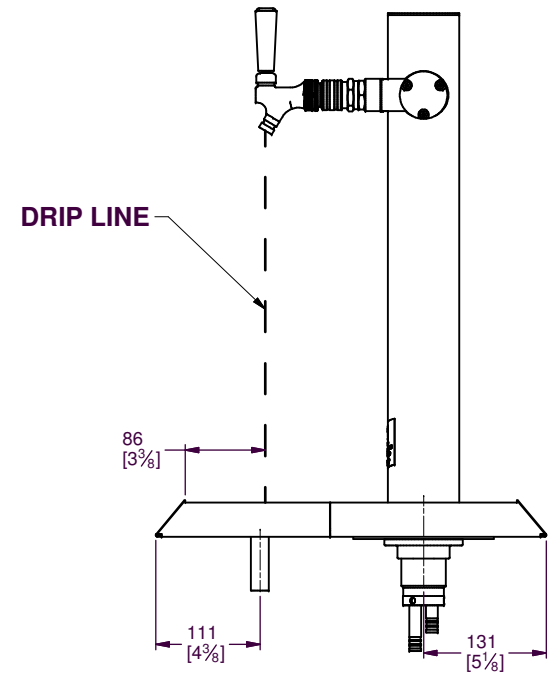
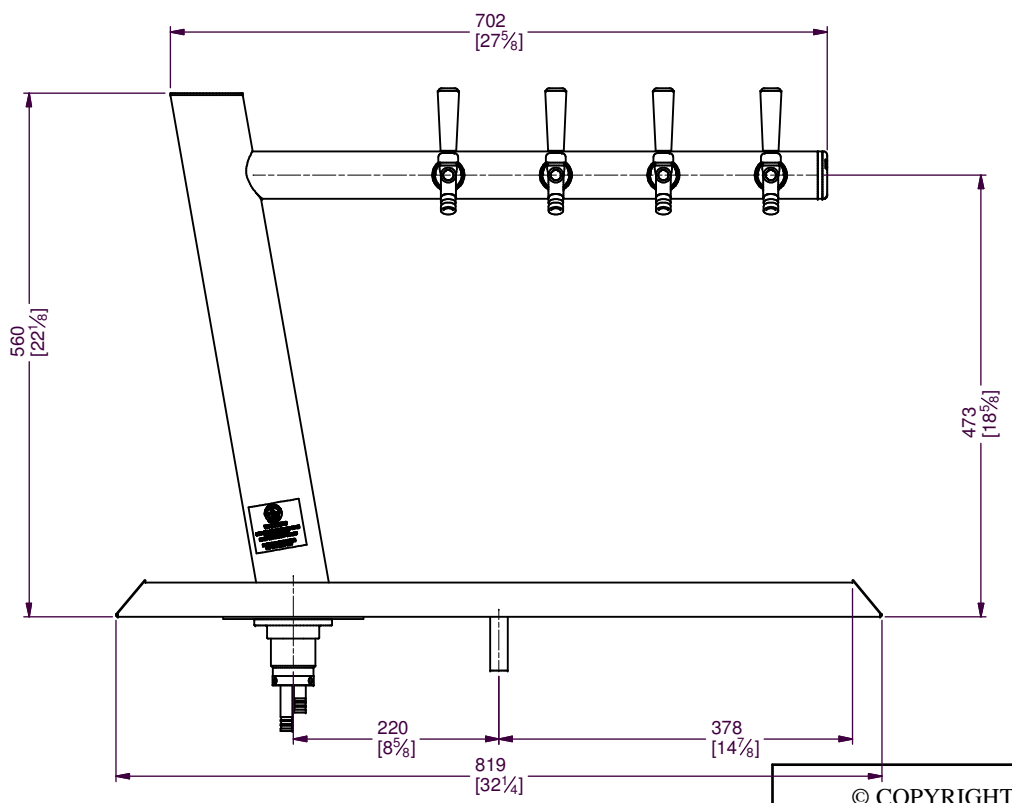
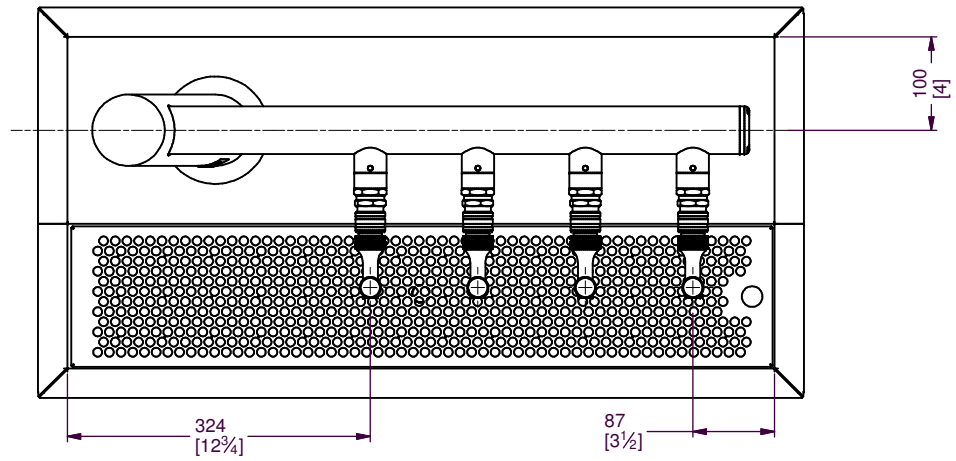


Parts List			
ITEM	QTY	PART NUMBER	DESCRIPTION
1	1	36624285	DRIPTRAY BEVELLED S/S 750
2	1	ZENITH 4W RH WITH TAPS	ZENITH FOUNT RH 4W SS SF 115



<p>© COPYRIGHT</p> <p>This drawing and the information contained herein is the property of Hoshizaki Lancer Pty. Ltd. It must not be copied or reproduced in any form, or used for manufacture or other purposes without express permission from the copyright owner, and is to be returned upon demand. Compensation for losses will be sought for any unauthorised use or infringement, and acceptance of the above is a condition of the issue of the information within. If the recipient does not accept the above conditions the drawing is to be returned forthwith.</p>		Checked by	Drawn by	Design State	Scale	Date	Sheet Size
			craig	Pending	NTS	08-Sep-11	A3
		<p>HOSHIZAKI</p> <p>LANCER PTY. LTD.</p> <p>5 TOOGOOD AVE. BEVERLEY 5009 S.A.</p>					
<p>TITLE</p> <p>S ZENITH 4W RH W TAPS & DT</p>		<p>PART No:</p> <p>ZENITH 4W RH WITH TAPS DT</p>		Revision	Sheet		
				001	1 / 2		



© COPYRIGHT
 This drawing and the information contained herein is the property of Hoshizaki Lancer Pty. Ltd. It must not be copied or reproduced in any form, or used for manufacture or other purposes without express permission from the copyright owner, and is to be returned upon demand. Compensation for losses will be sought for any unauthorised use or infringement, and acceptance of the above is a condition of the issue of the information within. If the recipient does not accept the above conditions the drawing is to be returned forthwith.

HOSHIZAKI
LANCER PTY. LTD.
 5 TOOGOOD AVE. BEVERLEY 5009 S.A.

Checked by	Drawn by	Design State	Scale	Date	Sheet Size
	craig	Pending	NTS	08-Sep-11	A3
TITLE					
S ZENITH 4W RH W TAPS & DT					
PART No:			Revision	Sheet	
ZENITH 4W RH WITH TAPS DT			001	2 / 2	