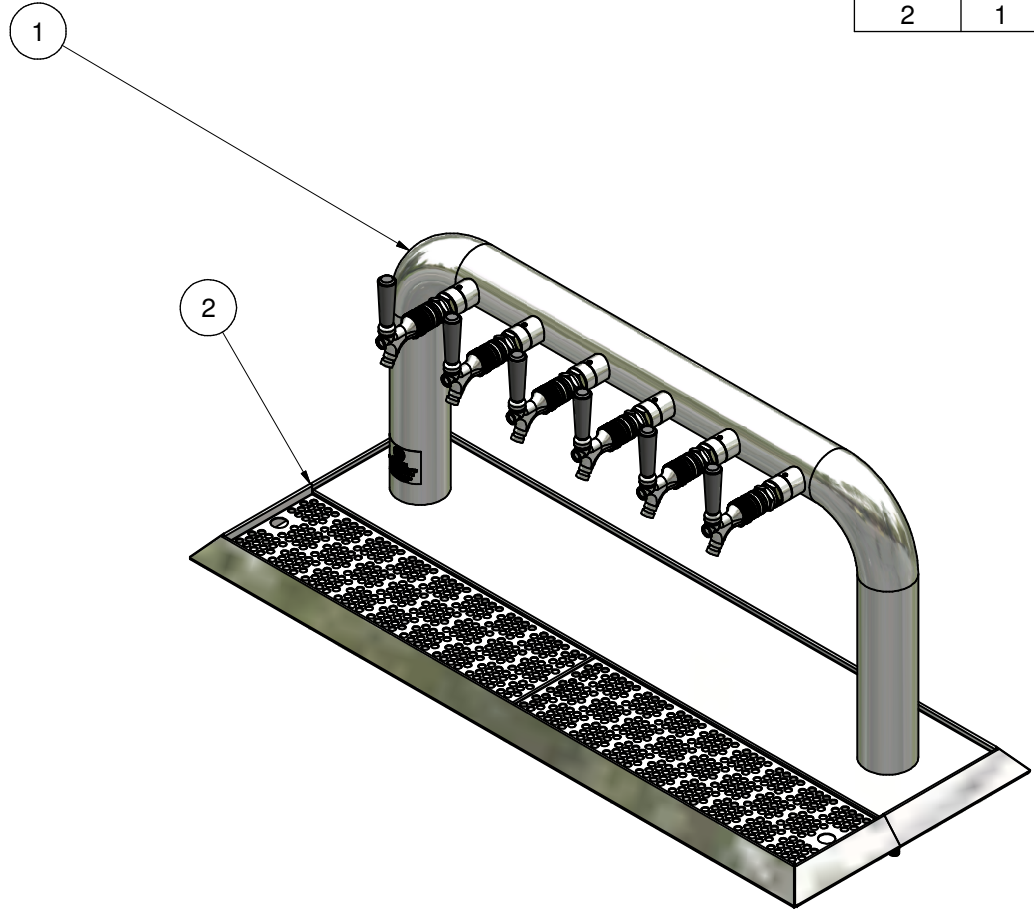


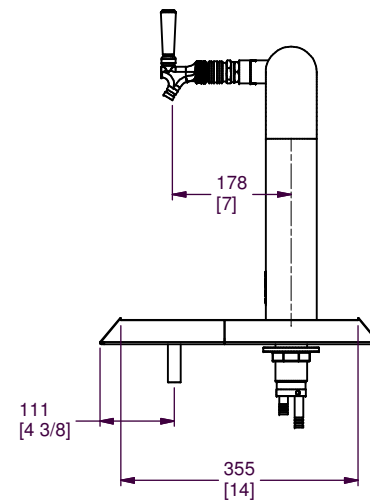
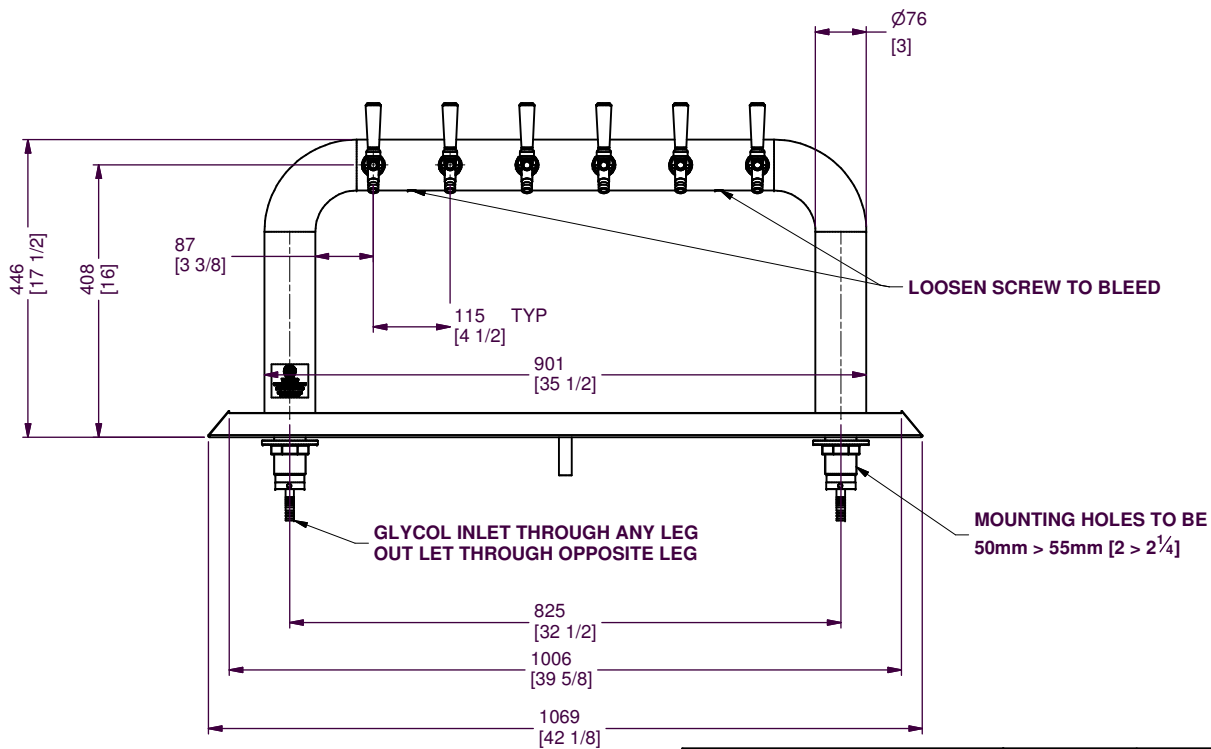
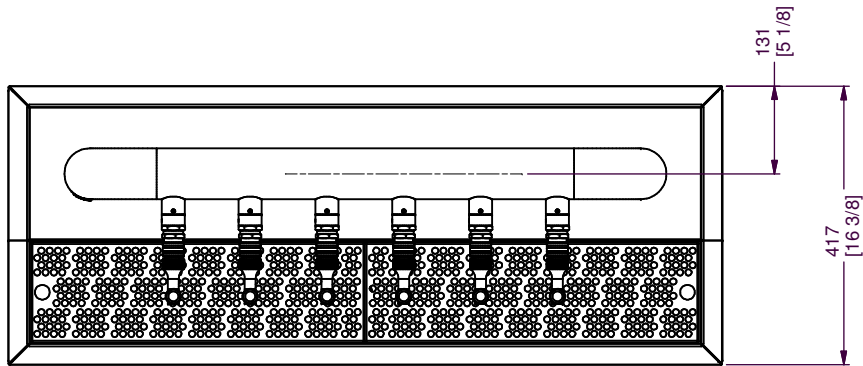
REVISION HISTORY			TODAY'S DATE	BY	AUTHORITY
REV	ECN #	ZONE	DESCRIPTION		
1					

Parts List			
ITEM	QTY	PART NUMBER	DESCRIPTION
1	1	6W GOALPOST	
2	1	36000011	DRIPTRAY BEVELLED S/S 1000 x 355



<p>© COPYRIGHT</p> <p>This drawing and the information contained herein is the property of Hoshizaki Lancer Pty. Ltd. It must not be copied or reproduced in any form, or used for manufacture or other purposes without express permission from the copyright owner, and is to be returned upon demand. Compensation for losses will be sought for any unauthorised use or infringement, and acceptance of the above is a condition of the issue of the information within. If the recipient does not accept the above conditions the drawing is to be returned forthwith.</p>	<p>HOSHIZAKI <i>LANCER PTY. LTD.</i> 5 TOOGOOD AVE. BEVERLEY 5009 S.A.</p>	Checked by	Drawn by	Design State	Scale	Date	Sheet Size
			craig	WorkInProgress	NTS	08-Mar-12	A3
		TITLE		PART No:	Revision	Sheet	
		6W GOALPOST		001	1 / 2		

COPYRIGHT HOSHIZAKI LANCER PTY. LTD. ABN 84 007 706 461



<p>© COPYRIGHT</p> <p>This drawing and the information contained herein is the property of Hoshizaki Lancer Pty. Ltd. It must not be copied or reproduced in any form, or used for manufacture or other purposes without express permission from the copyright owner, and is to be returned upon demand. Compensation for losses will be sought for any unauthorised use or infringement, and acceptance of the above is a condition of the issue of the information within. If the recipient does not accept the above conditions the drawing is to be returned forthwith.</p>	<p>Checked by</p> <p>Drawn by</p> <p>Design State</p> <p>Scale</p> <p>Date</p> <p>Sheet Size</p>	<p>WorkInProgress</p> <p>NTS</p> <p>08-Mar-12</p> <p>A3</p>
	<p>TITLE</p> <p>HOSHIZAKI</p> <p>LANCER PTY. LTD.</p> <p>5 TOOGOOD AVE. BEVERLEY 5009 S.A.</p>	
	<p>PART No:</p> <p>6W GOALPOST</p>	<p>Revision</p> <p>001</p>

COPYRIGHT HOSHIZAKI LANCER PTY. LTD. ABN 84 007 706 461